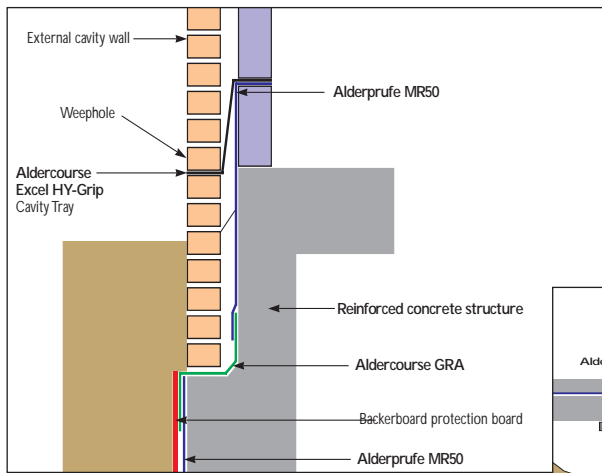
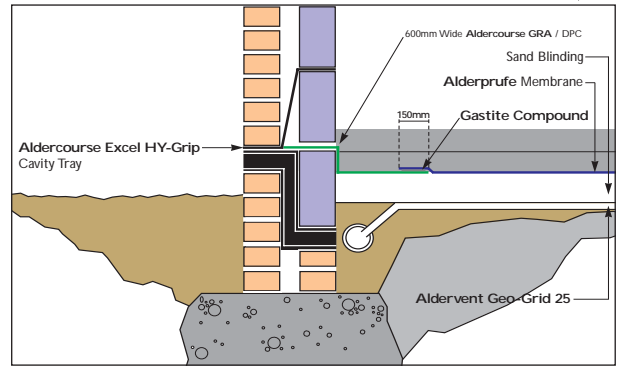
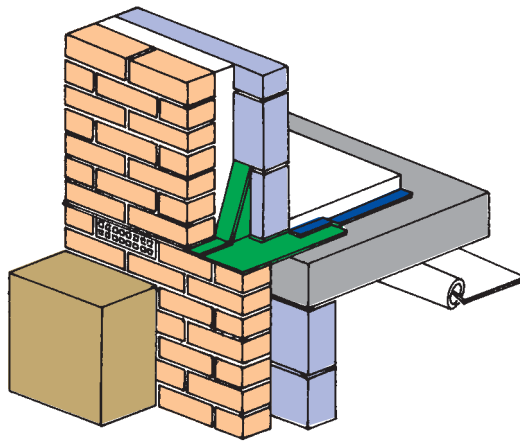
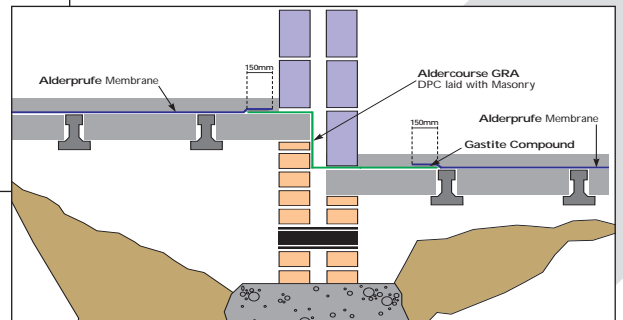


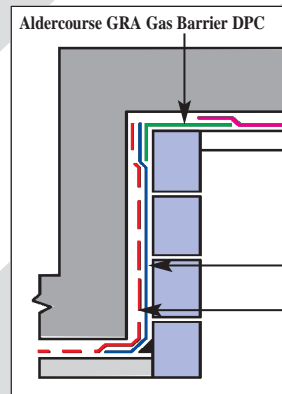
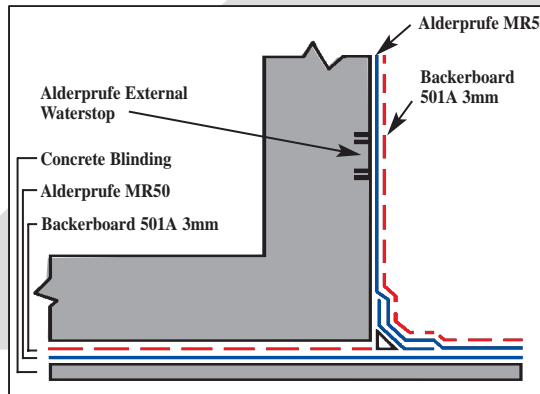
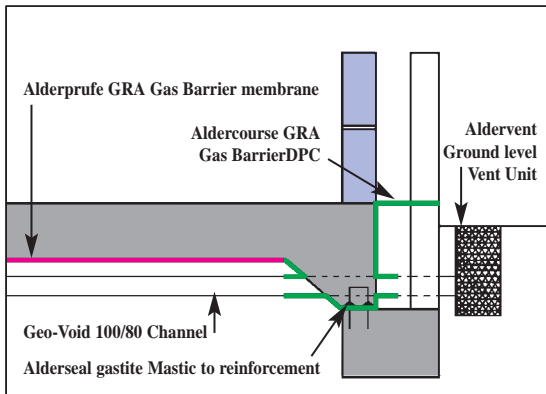
## Fully Supported Ground Slab Edge Detail



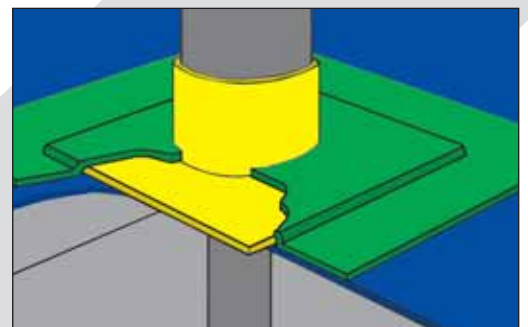
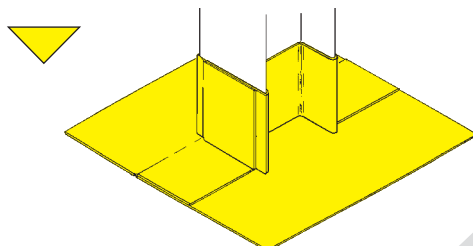
## Internal Wall Detail

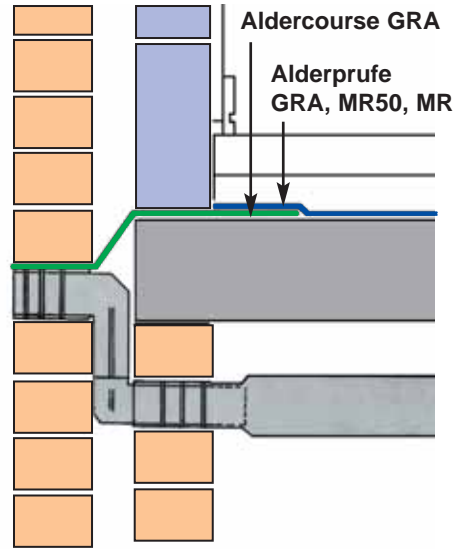
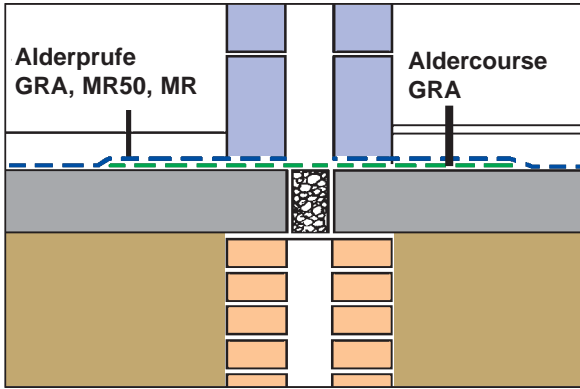


## Tanking Detail Edge Detail

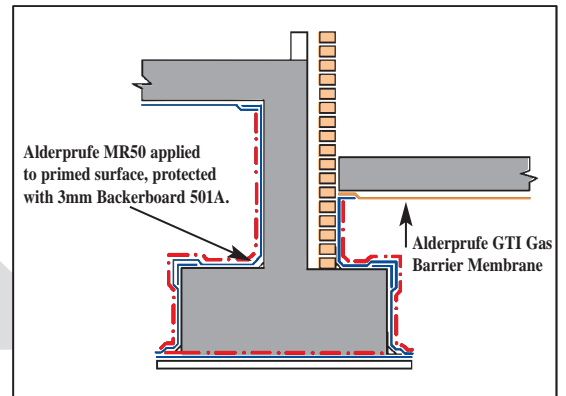
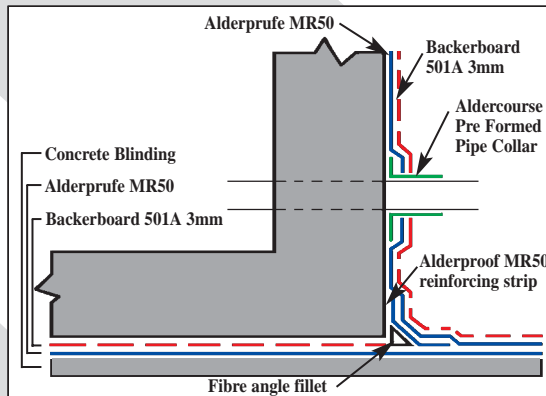
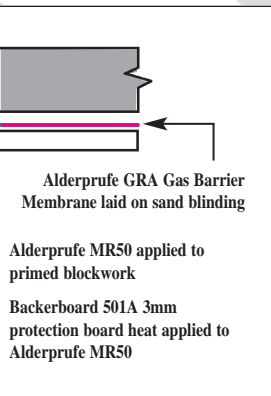
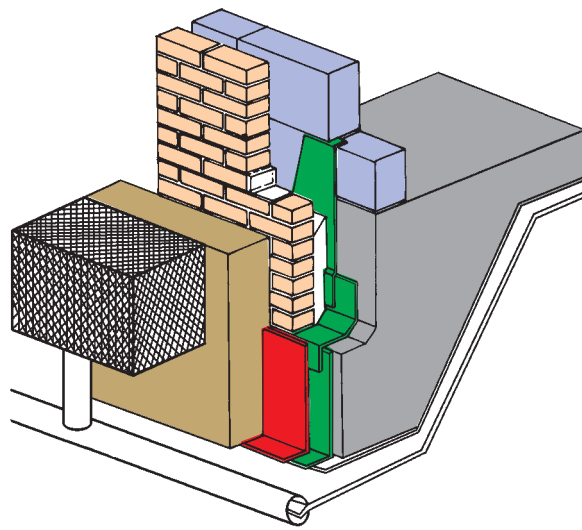
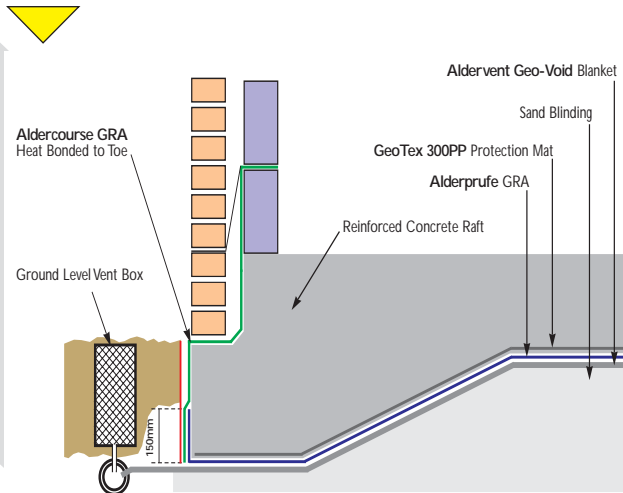


## Cloak Detail Steel Column Base

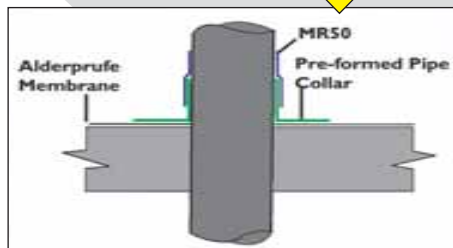




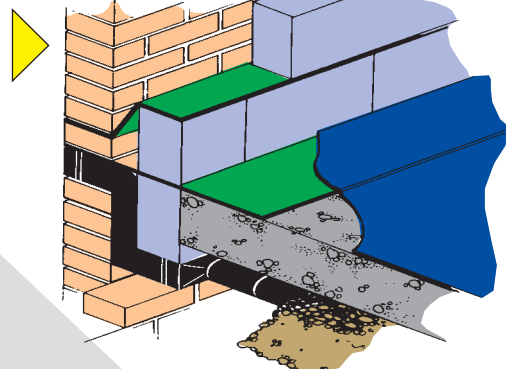
## Raft Detail



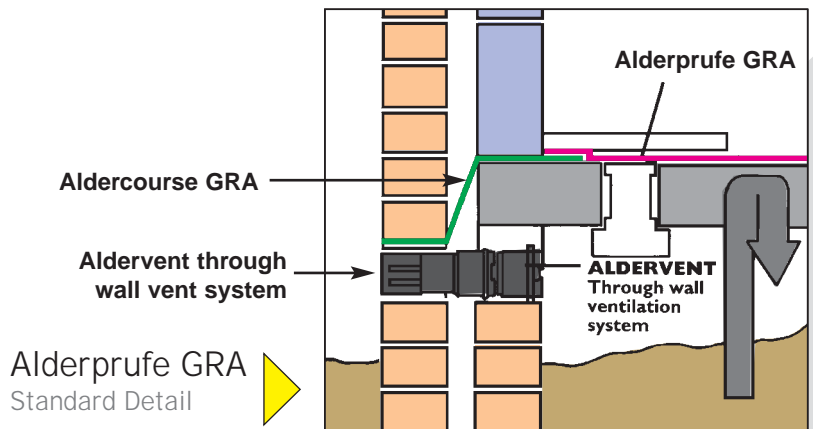
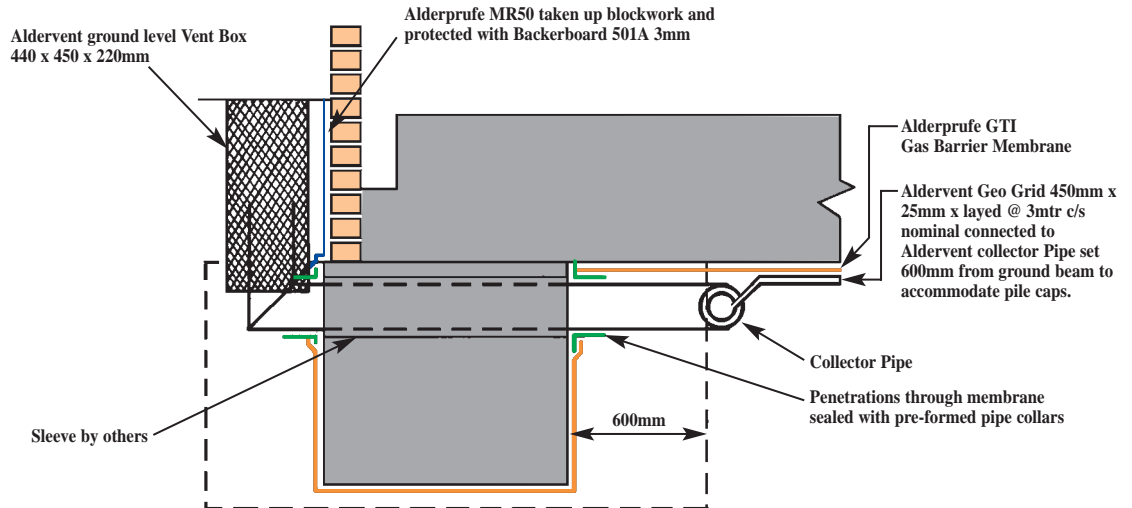
## Pre-formed Pipe Collar Standard Detail



## Alderprufe MR50 Standard Detail



## Gas Barrier Edge Detail



# Alderprufe Holdfast

## Description:

A tying system for fixing the membrane to the underside of concrete slabs when future subsidence of the prepared ground is anticipated.

Holdfast are rectangular pads with 'T' bars fixed to the membrane at pre-determined centres. Usually applied when piled foundation's are required. Fixed between piles either by fully welding to the membrane or by application of Gastite Compound.

The concrete slab is cast over the laid membrane and Holdfast system. The concrete displacing itself around the 'T' bar sections.

In the event of ground subsidence, the 'T' sections are fixed in the underside of the slab to ensure the membrane remains fixed with no possibility of failure due to rupture.

## Dimensions:

175mm x 100mm x 20mm

