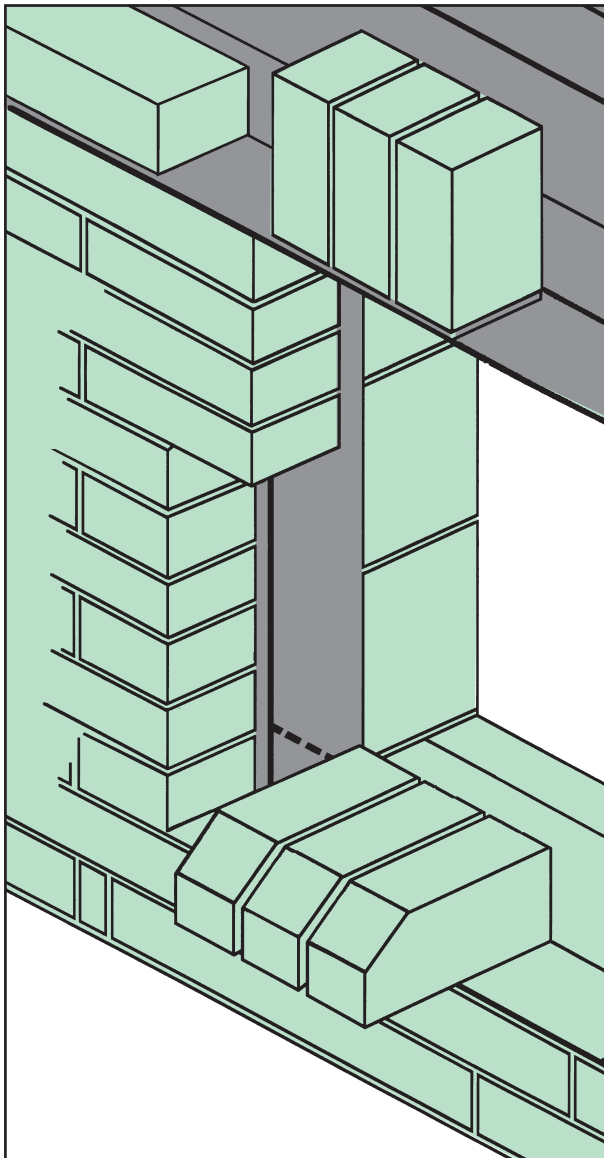


**MEMBRANES**

# **ALDERCOURSE**

## **DPC SYSTEMS**



## **Features**

**BS6515 DPC for general building purposes including flooring applications.**

**High performance Polymeric DPC to cope with the most rigorous demands of modern construction methods.**

**Gas proof DPC systems for development on contaminated land.**

**A full range of factory formed details from all virgin DPC materials to guarantee total integrity.**

**All Aldercourse DPC materials are fully compatible with Alderprufe membranes for full system protection where appropriate.**

**Design assistance and third party accreditation is available where appropriate.**

Alderburgh Limited specialises in the manufacturing and marketing of high quality products for complete structural protection, encompassing membrane systems, liquid systems, expansion joint

fillers, ventilation products and drainage systems. We have available a wide range of expertise and are constantly reviewing products to provide up to date solutions for today's construction problems.

## Waterproofing Membranes

- Alderprufe Tuflex
- Alderprufe 15K
- Alderprufe 20K
- Alderprufe 30K
- Alderprufe 30K HD
- Alderprufe Aqua System
- Alderprufe Nu-Life

## Gas Barriers

- Alderprufe Tuflex
- Tuflex CO2
- Alderprufe MR
- Alderprufe MR50
- Alderprufe GRA
- Alderprufe GRM
- Preformed Details

## Damp Proof course and Cavity Tray Systems

- Aldercourse Century 2000
- Aldercourse Excell Hy-Grip
- Aldercourse GRA
- Aldercourse Tuflex DPC
- Aldercourse Cavity Trays
- Aldercourse Thermal Block
- Aldercourse Thermal Stop
- Higrade DPC

## Aldervent Ventilation Systems

- Aldervent Geo-Grid and Geo-Grid 25
- Aldervent Geo-Void 12/25/52/100
- Through Wall Ventilation Systems
- Aldervent Vent Bollard
- Gas Sump
- Ground Level Vent Units
- AVSS
- AVRT
- AVRTR
- AVOF

## Expansion Joints and Protection Boards

- Foamflex 1, 2, 3
- Corkflex - B
- Fibreflex
- Backerboard 501 - A
- Angle Fillet
- Multistick

## Waterstops and Drainage Systems

- Centrally Placed Water Stops
- Caviduct 20
- Externally Placed Water Stops
- Aqua Drain
- Nu-Life

## Liquid Compounds

- LD10 Liquid Waterproofer
- Black Bitumen Paint - type II
- Weatherprufe Waterproofing Compounds
- Bitumen Mastic
- Alderprufe Tac Primer
- Solar Reflective Paint
- Felt Adhesive
- Alderseal 810
- Alderseal 850
- Gritting Solution
- Aluminium Flashing Tape

## Water Management Systems

- Alderburgh Geo Void Cell 30/100
- Alderburgh Geo Void 80/100
- Alderburgh Geo Cell Tank
- Surface Water Re-cycling Systems
- Atlantis Stormwater Purification Unit

## Geo-Textiles

- Stabilisation & Filter
- Alderway
- Geotex
- Protection & Filter

# Aldercourse Excel HY-GRIP



# DPC Systems

**Extremely tough and resilient  
High compressive stress and low  
temperature flexibility**

**Compatible with most  
construction materials**

**Damp proof course in accordance with BS  
Code of Practice CP102:1973**

**Compatible with all Alderprufe Membranes  
for use in totally integrated structural  
waterproofing systems**

**Pre-formed units for  
integrated, fully sealed cavity tray systems**

**ALDERCOURSE EXCEL HY-GRIP** Polymeric Damp-proof course is a flexible sheet material which is a composition of ethylene propylene rubbers and polyester fibres.

## Manufacture

The raw materials are balanced, milled and calendered to a standard strictly controlled, which includes checks on dimensions, strength, low temperature flexibility and homogeneity.

## Cleaning of Cavities

As with most other damp course materials, damage can occur during cleaning of mortar droppings from the damp proof course unless care is taken. The following recommendations should prevent damage occurring:

1. Cavity battens should be used to prevent excess mortar droppings reaching the damp proof course.
2. Mortar droppings should be removed before they have time to harden.
3. Implements such as steel rods should never be used for cleaning.
4. Damp proof courses should be examined for damage as work proceeds.

## Applications

- Near to ground level as a moisture barrier.
- To close cavities at openings in brickwork.
- In parapets, to prevent downward water penetration.
- Beneath sills and coping made of porous materials.

## Compatibility

**ALDERCOURSE EXCEL HY-GRIP** Polymeric damp-proof course is compatible with commonly used building materials, including mastics hot applied bituminous, damp-proof

membranes and Alderprufe Self Adhesive membranes.

## Specification

**ALDERCOURSE EXCEL HY-GRIP** Polymeric DPC minimum tensile strength 8.38 N/mm<sup>2</sup> 1.2mm thick Nom. Fixed as per manufacturers instructions supplied by Alderburgh Limited, Sladen Mill, Halifax Road, Littleborough, Lancashire, OL15 0AB.

A complete range of factory formed cloaks are available for complete cavity closure systems.

## British Standards Compliance

### **BS5628 Part 3: 1985**

Code of practice for use of Masonry Part 3. Materials and Components. Design and Workmanship.

### **BS8215 1991**

Code of practice for Design and Installation of Damp Proof Courses in Masonry Construction.

### **BS8000 Part 3: 1989**

Workmanship on Building Sites Part 3. Code of practice for Masonry.

### **BS DD86 Part 1: 1983**

Damp Proof Courses - methods of Test for Flexural Bond Strength.

## Technical Data

<b>Tensile Strength at Break N/50mm</b>	700
<b>Tear Strength</b>	250
<b>Puncture Resistance KPU</b>	2000
<b>Low Temperature Flexibility °C</b>	-40
<b>Mortar Bond Strength</b>	Good
<b>Compressive Bond Strength</b>	Good
<b>Dimensions and Weights</b>	<b>Widths</b>
<b>Nominal Weight kg/m<sup>2</sup></b>	1.8 100
<b>Nominal Length m</b>	20 150 225
<b>Nominal Thickness mm</b>	1.7 300 337.5
	450 600
	900 1000

## Description

These are pre-formed factory welded and electronically tested. Manufactured from 2mm EXCEL HY-Grip sheeting. They are available in the standard range and sizes as shown. Special cloaks can be manufactured on receipt of dimensional sketch profiles. Pre-formed cloaks guarantee a watertight joint and offer considerable labour saving over site manufactured methods.

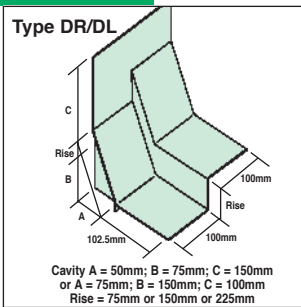
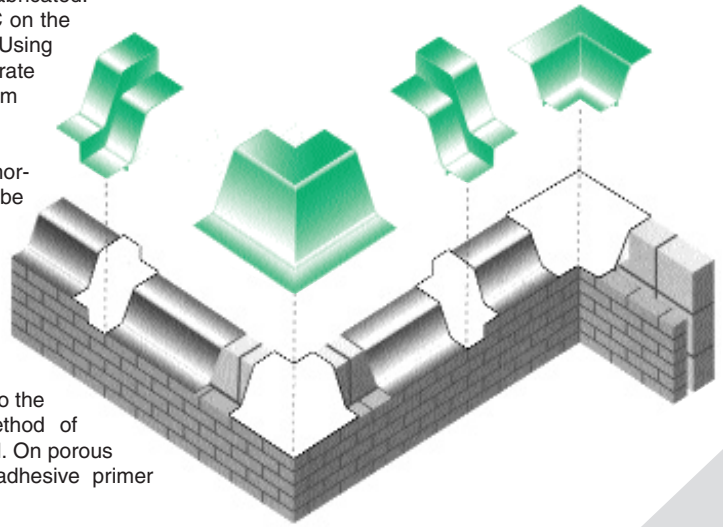
## Application

Each cloak fits the details for which it has been fabricated. Assemble the cloak and the EXCEL HY-Grip DPC on the dry brickwork with the DPC above the cloak. Using Alderseal multi-stick double sided tape (see separate data sheet) join the DPC to the cloak exerting a firm pressure to ensure bonding.

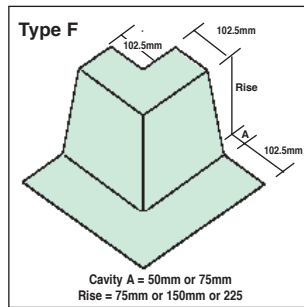
The DPC should be laid on an even bed of wet mortar. The next brick course above the DPC should be laid immediately on a further bed of wet mortar.

All overlap joints between the DPC and the joining of cloaks to the DPC should be 100mm. This is made easy with the use of 100mm jointing tape.

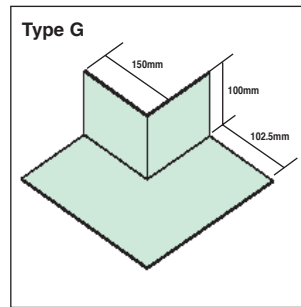
When the design requires the DPC to be bonded to the vertical face of the inner leaf. The same method of bonding using Alderseal double sided tape is used. On porous surfaces this should first be sealed with self adhesive primer (see separate data sheet).



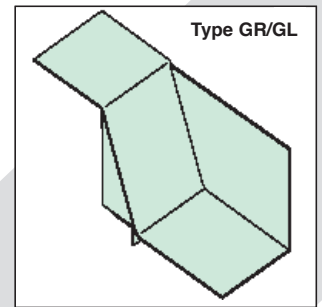
**Type DR/DL**  
Change level cloak  
(brick to block face)



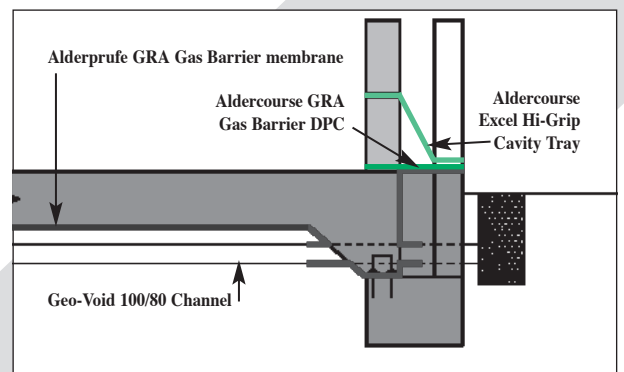
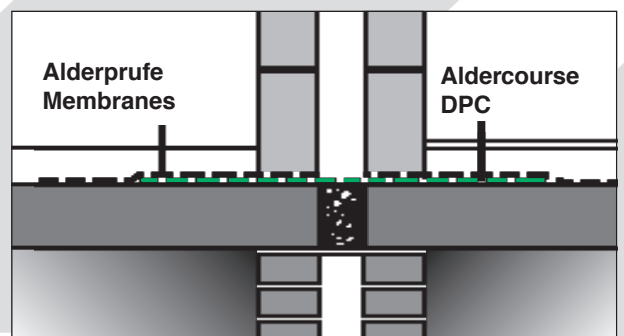
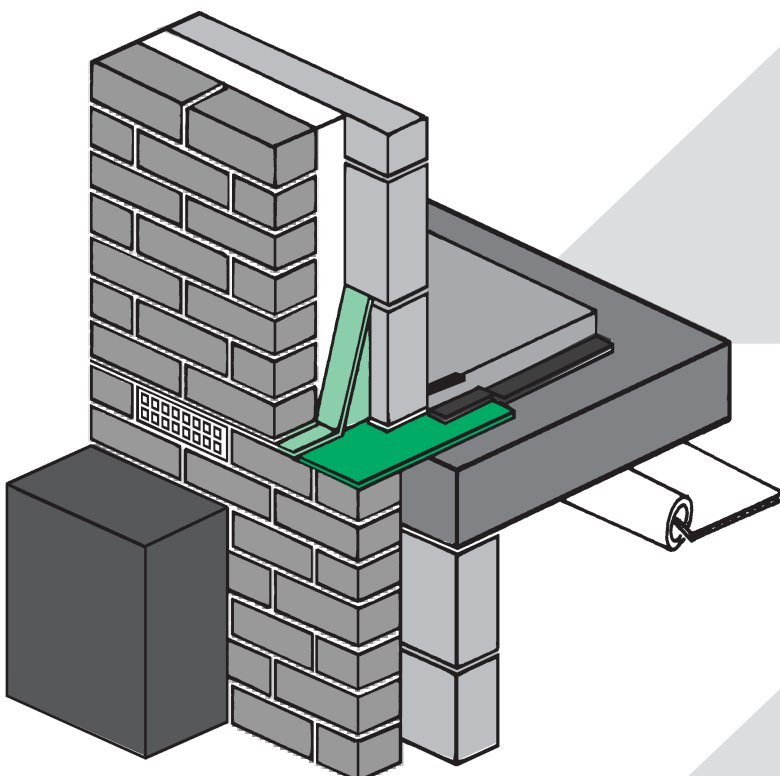
**Type F**  
External corner  
(brick to block)



**Type G**  
External Corner



**Type GR/GL**  
Change level cloak  
(brick to block face)



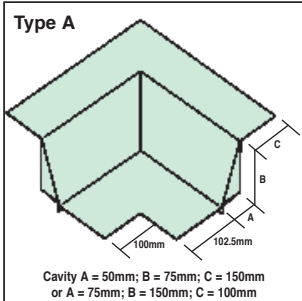
# Installation

Installation must be in accordance with the relevant section of CP102: 1973 protection of buildings against water from the ground, and must follow normal good practice for the detailing of damp-proof courses, as set out in BS 5628: Part 3, and be in accordance with the manufacturers instructions.

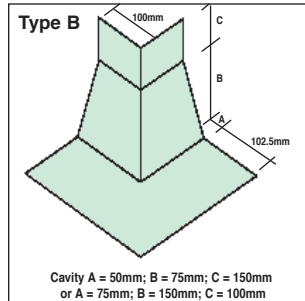
Work can be carried out in all weather conditions normal to the construction of walls.

The dpc must extend through the full thickness of the wall or wall leaf: including pointing, applied rendering or other facing. The dpc must be laid on an even bed of mortar. Any perforations in adjacent courses of brickwork must be completely filled with mortar. All lap joints must have an overlap of 100mm and be completely sealed using double sided jointing tape.

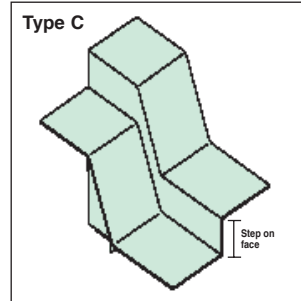
When using this product with boot lintels or similar construction, it is recommended that the material is installed to follow the lintel profile.



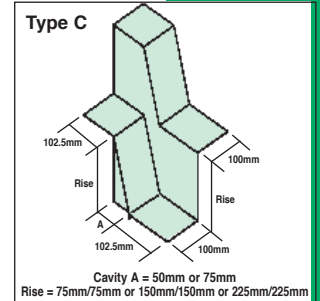
**Internal corner**  
(brick to block)



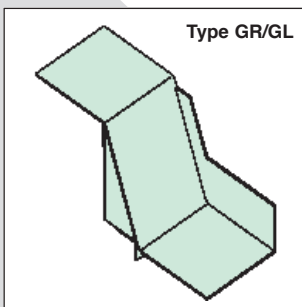
**Surface fixed**



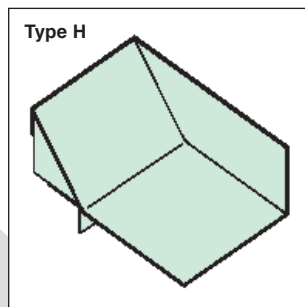
**Stop end cloak**



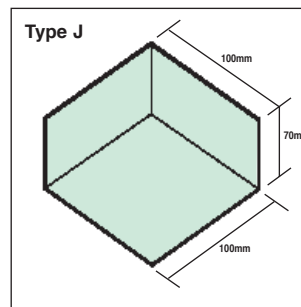
**Stop end cloak**



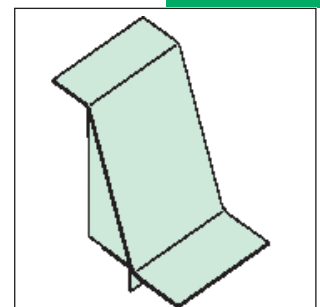
**Stop ends**



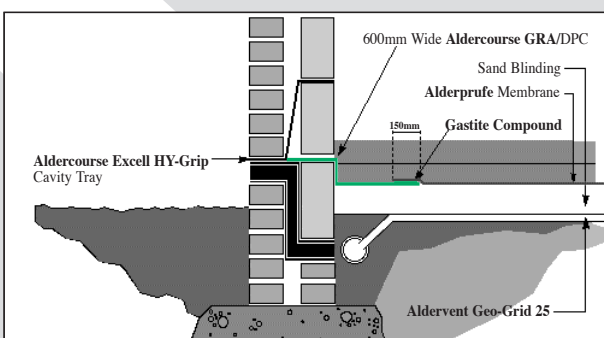
**Angled stop ends**



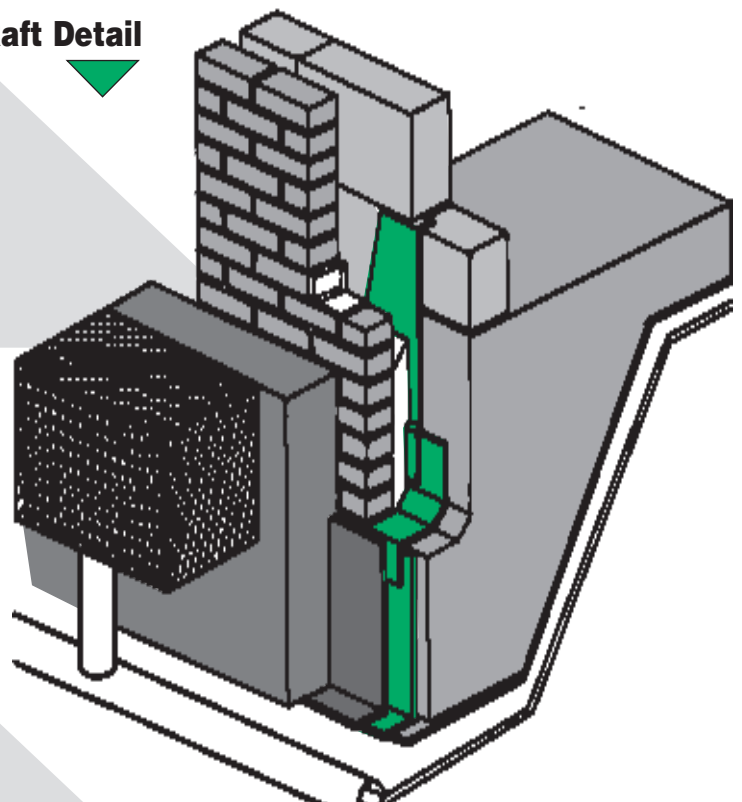
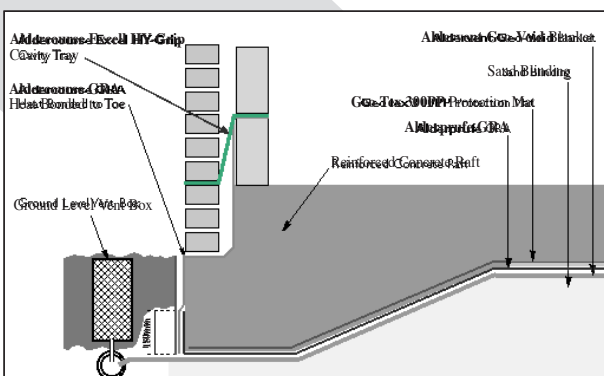
**Internal corner**



**Joint support system**



## Raft Detail



## Gas resistant Cavity Closure Damp-proof Course

# Aldercourse GRA

### Introduction

When used contiguously Alderprufe MR50 or GRA and Aldercourse GRA form a gas-retardant membrane and damp-proof course system for use on landfill sites and in other areas where protection from gases, particularly methane, CO<sub>2</sub> and radon is required.

### Description

Aldercourse GRA is an aluminium cored damp-proof course, developed in combination with Alderprufe MR50 or GRA to provide a continuous "through the wall to floor" junction. Both products have a low permeance of methane and other gases including radon.



### Composition and manufacture

Aldercourse GRA is a laminate of aluminium, high quality oxidised bitumen and hessian. It is surfaced with a light sand finish.

### Uses

Aldercourse GRA is suitable for use as the associated damp-proof course particularly where resistance is required to the ingress of methane. It may be used in conjunction with Alderprufe MR50 or GRA and similar methane retardant membranes. If resistance to methane is a factor, great care must be taken with detailing on all parts of the structure.

### Priming

All surfaces to which Aldercourse GRA is to be heat bonded, must be primed with one coat of Alderprufe Self Adhesive Primer at a rate of 0.1 to 0.3 litres per m<sup>2</sup> dependent on the porosity of the surface. The primer must be allowed to dry thoroughly before the application of membrane or DPC.

## Tuflex DPC

### General Description

Tuflex/PCPT polymeric Damp-proof/Gas-proof course is a flexible sheet material which is a composition of propylene copolymers.

### Manufacture

The raw materials are balanced, milled and calendered to a standard strictly controlled, which includes checks on dimensions, strength, low temperature, flexibility and homogeneity.

### Installation

Installation must be in accordance with the relevant section of CP102: 1973 protection of buildings

against water from the ground, and must follow normal good practice for the detailing of damp-proof courses, as set out in BS 5628: Part 3: 1985. and be in accordance with the manufacturers instructions.

Work can be carried out in all weather conditions normal to the construction of walls.

The dpc must extend through the full thickness of the wall or wall leaf: including pointing, applied rendering or other facing. The dpc must be laid on an even bed of mortar. Any perforations in adjacent courses of brickwork must be completely filled with mortar. All lap joints must have an overlap of 100mm and be completely sealed using double sided jointing compound or welded. When using this product with boot lintels or similar construction, it is recommended that the material is installed to follow the lintel profile.

# Aldercourse Century 2000

Guaranteed 500mu min. wt. 0.47 kg/m<sup>2</sup>

**Ease of application**

**High geometric pattern gives greater mortar grip**

**Compatible with most construction materials**

**Robust in use**

**Inert to most common chemical substances**

**Damp proof course in accordance with BS Code of Practice CP102:1973**

**Compatible with all Alderprufe Membranes for use in totally integrated structural waterproofing systems**

**Pre-formed units for integrated, fully sealed cavity tray systems**

**ALDERCOURSE CENTURY 2000 D.P.C.** is manufactured to approved British Standards Requirements for the composition, finish and impermeability of Polythene Damp Proof Course for use in masonry construction as follows.

## Description

**ALDERCOURSE CENTURY 2000 D.P.C.** consists of a black, low density polyethylene sheet with a mass in the range 0.425 kg/m<sup>2</sup> to 0.54 kg/m<sup>2</sup> formed from a polyethylene polymer of a melt flow rate of five or less when measured according to BS2782: Method 720A and has a density within the range 0.915 g/ml to 0.925 g/ml at 23°C when tested according to Method 620A, 620B or 620D of BS2782: Method 620A & 620D: 1980. The sheet contains a minimum of 2% by mass of evenly dispersed carbon black and contains not more than 5% by mass of material other than polyethylene.

**ALDERCOURSE CENTURY 2000 D.P.C.** is manufactured in a single layer thickness of not less than 0.48mm ensuring the material is free from any air bubbles and that there are no visible pin holes.

## Cleaning of Cavities

As with most other damp course materials, damage can occur during cleaning of mortar droppings from the damp proof course unless care is taken. The following recommendations should prevent damage occurring:

**1.** Cavity battens should be used to prevent excess mortar droppings reaching the damp proof course.

**2.** Mortar droppings should be removed before they have time to harden.

**3.** Implements such as steel rods should never be used for cleaning.

**4.** Damp proof courses should be examined for damage as work proceeds.

## Applications

- Near to ground level as a moisture barrier.
- To close cavities at openings in brickwork.
- In parapets, to prevent downward water penetration.
- Beneath sills and coping made of porous material.
- The high profile embossed surface gives greater adhesion to mortar particularly in the early stages of building when high winds can damage the stability of incomplete walls.

## Properties

<b>Water absorption</b>	Nil
<b>Water vapour permeability</b>	0.000074 16/FT <sup>2</sup> hatm
<b>Tear resistance</b>	0.00036 Kg per m <sup>2</sup> hatm
	6.77 Kg/MM <sup>2</sup>
	(ASTM-D.1.004)
<b>Tensile strength</b>	1.14 Kg/MM <sup>2</sup>
<b>Breaking elongation</b>	500%
<b>Temperature range</b>	-50°C to +115°C

## Sizes

Width	M <sup>2</sup> /Roll	Rolls/pack
100 mm (4")	3	9
112.5 mm (4.5")	3.375	8
150 mm (6")	4.5	8
225 mm (9")	6.75	4
300 mm (12")	9	3
337.5 mm (13.5")	10.125	3
450 mm (18")	13.5	2
600 mm (24")	18	2
900 mm (36")	27	1
1200 mm (48")	36	1

All rolls supplied in standard lengths of 30 linear metres. Rolls are supplied packed in polythene sleeves allowing easier and more economical handling, storage and distribution.

## Availability

Through builders merchants stockists nationwide. For a list of suppliers or advice on specific requirements please contact Alderburgh Ltd.

## Specification

**ALDERCOURSE CENTURY 2000** Black polythene 2000 gauge (500 microns) damp proof course with a high geometrically embossed surface. Manufactured to BS6515.

# DPC Systems

All Alderburgh products are manufactured to the highest quality, being subject to rigid quality control. However, the company cannot control conditions of application and use of its products, thus any warranty, written or implied, is given in good faith for materials only. Alderburgh Ltd will not accept any responsibility for damage or injury arising from storage handling, misapplication or misuse of its products. All transactions are subject to our standard condition of sale, copies of which are available on request.



**Alderburgh Limited.**

Sladen Mill, Halifax Road, Littleborough, OL15 0LB.  
For Further Assistance Tel: 01706 374416, Fax: 01706 376785

E&OE. Without Guarantee.

email: [sales@alderburgh.com](mailto:sales@alderburgh.com)