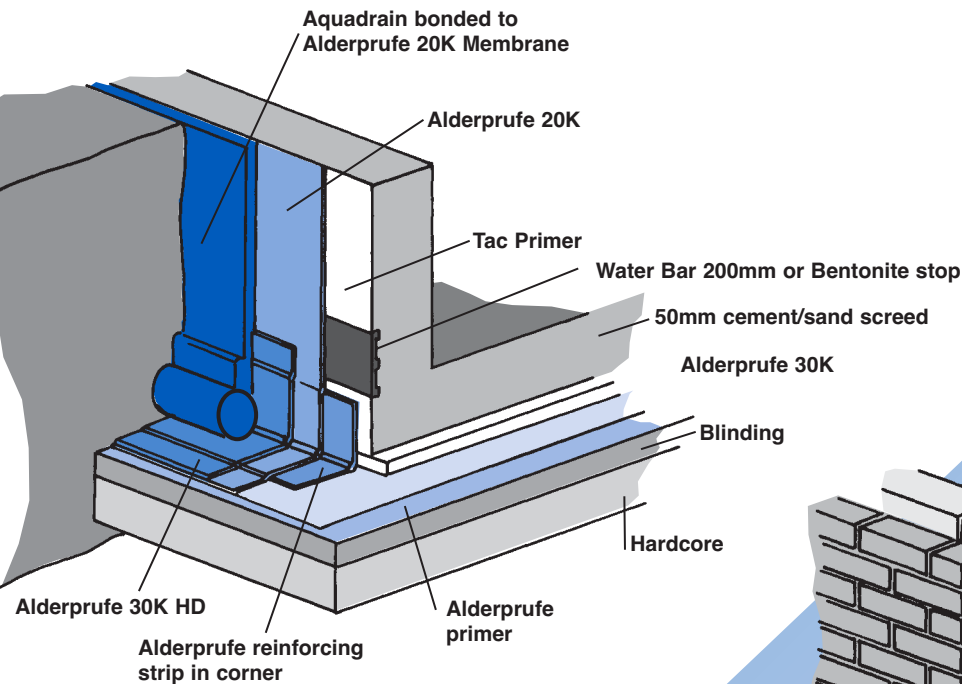
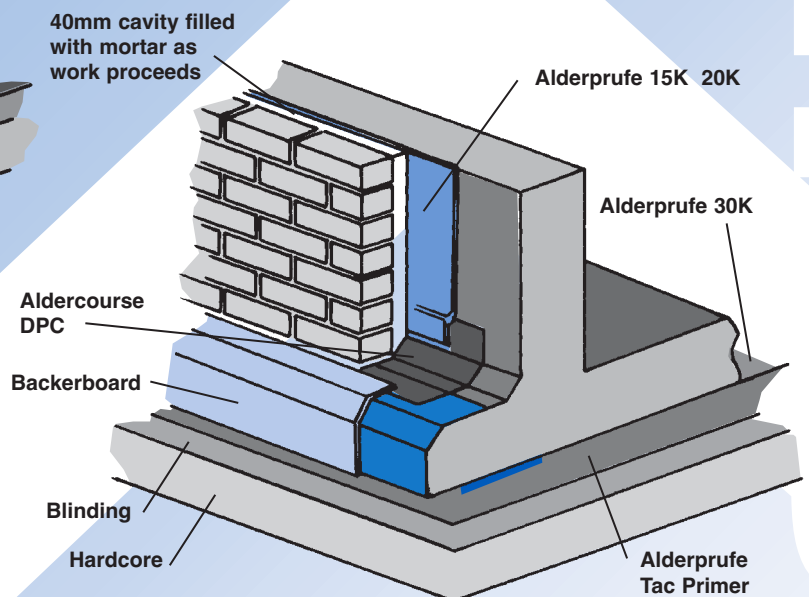
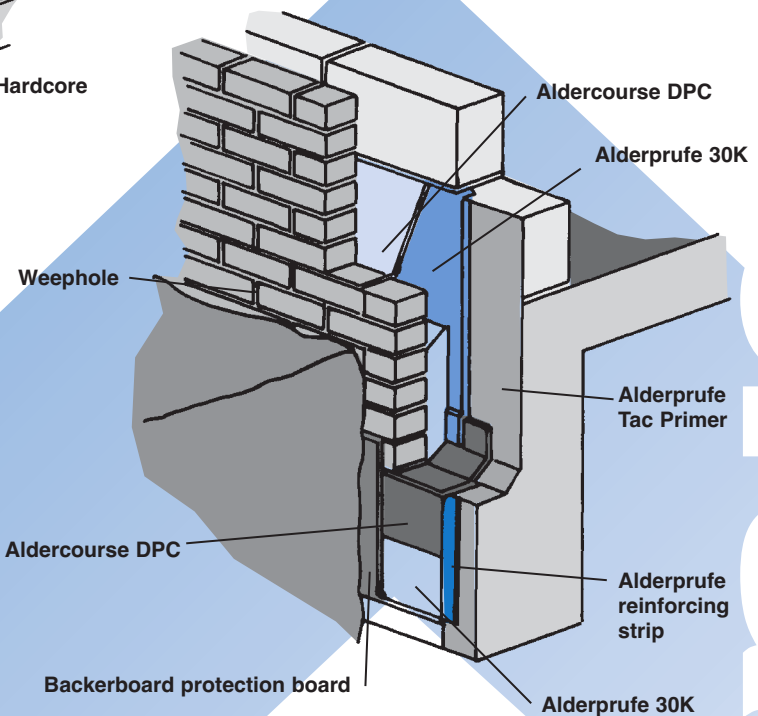
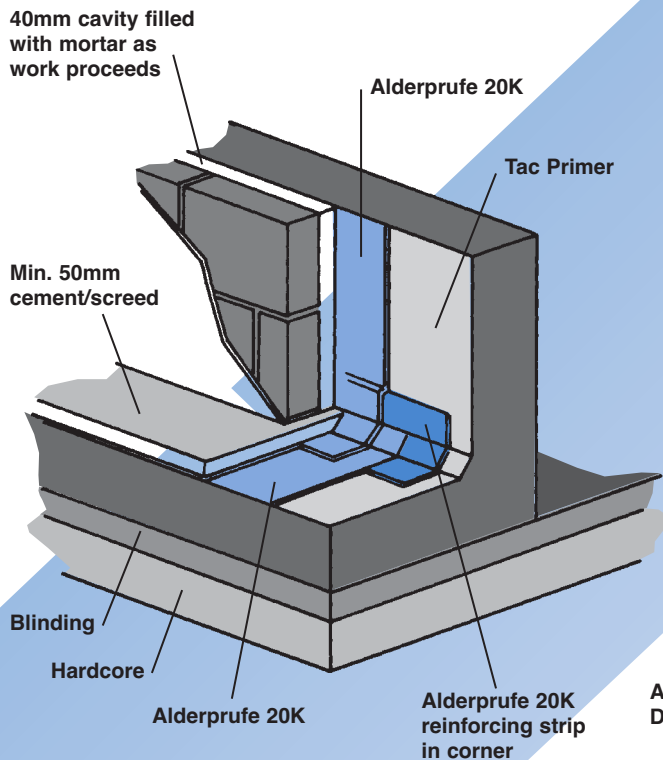


Typical Details

External tanking with Aquadrain



Internal tanking floor wall junction



ALDRUPFE